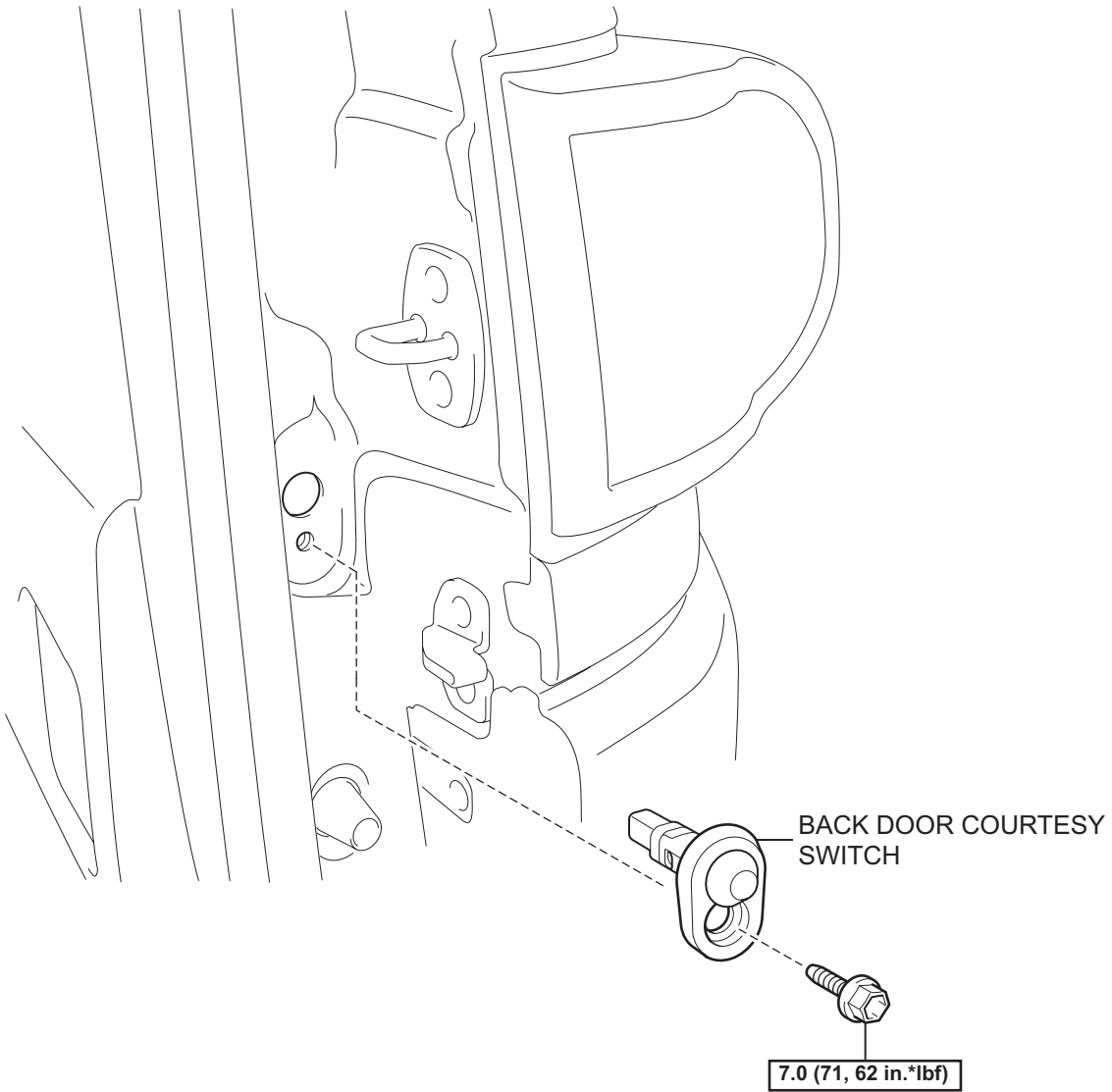


BACK DOOR COURTESY SWITCH

COMPONENTS



N*m (kgf*cm, ft*lbf) : Specified torque

REMOVAL

1. **DISCONNECT CABLE FROM NEGATIVE BATTERY TERMINAL**
2. **REMOVE BACK DOOR COURTESY SWITCH**
 - (a) Remove the bolt and back door courtesy switch.
 - (b) Disconnect the connector.

